

## HJVD Extra Lower Impedance High Voltage Aluminum Electrolytic Capacitors

Extra lower impedance with temperature range -55~+105°C

Load life of 2000~10000 hours

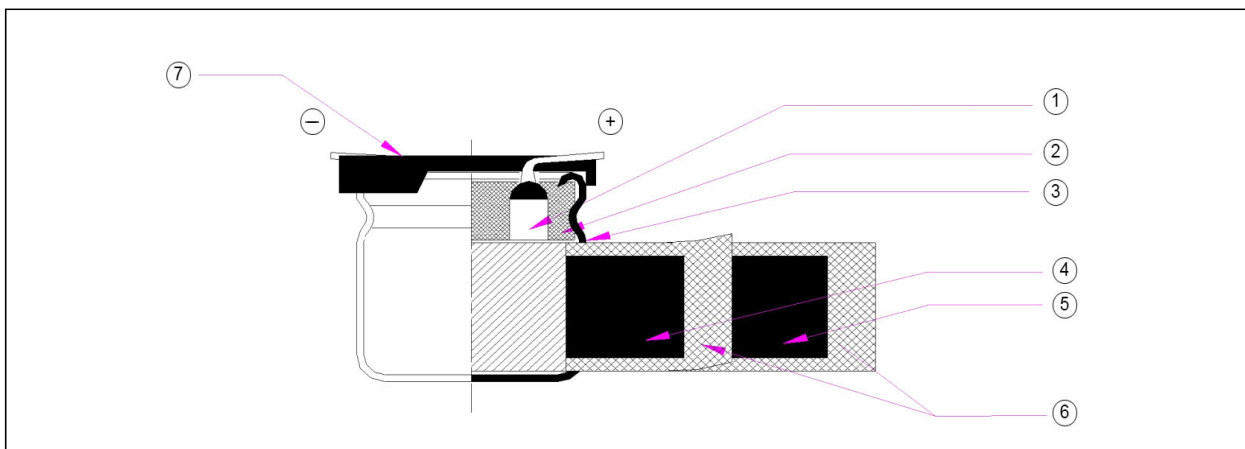
RoHS & REACH compliant, Halogen-free



### How to order

<u>HJVD</u>	<u>106</u>	<u>M</u>	<u>0016</u>	<u>0605</u>	<u>R</u>	<u>-</u>
Type	Capacitance code	Tolerance	Rated Voltage	Size Code	Package	Additional characters may be added for special requirements
HVJD	pF Code: 1st two digits represent significant figures 3rd digit represents multiplier (number of zeros to follow) 106 = 10uF 476 = 47 uF	M: +/-20%	Code 0035: 35VDC For DC Voltage 0016: 16VDC 0025: 25VDC 0050: 50VDC	Code 0405: Size 4x5.4mm Size for V-chip E-cap 0605: Size 6x5.4mm 1010: Size 10x10.5mm 1818: Size 18x18.5mm	R: Tape & Reel	

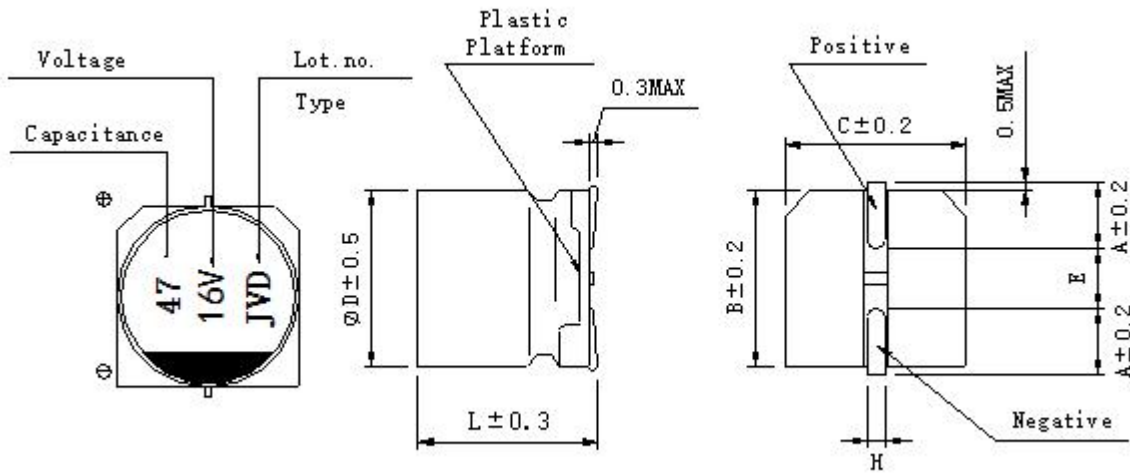
### Frame drawing and materials



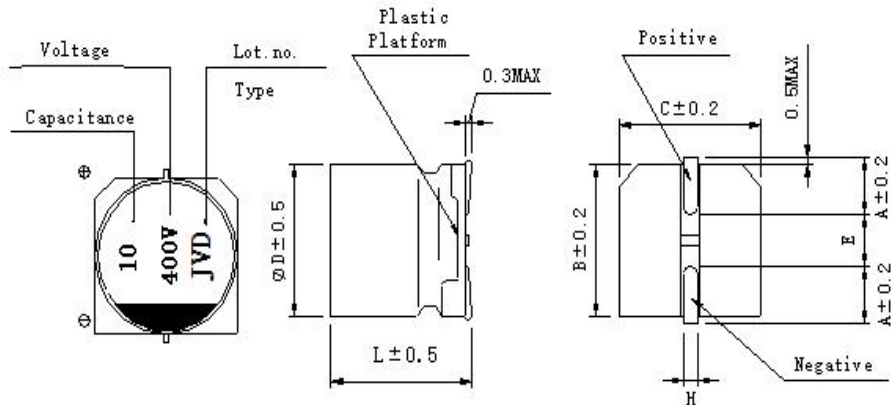
No.	Parts	Material
1	Lead wire	AL- wire LG3+Tin- plating of copper cover steel
2	Rubber stopper	IIR rubber
3	PE- CASE	AL -99.5%
4	AL – foil(+)	Formed AL 99.98% or 99.98%
5	AL – foil(-)	Etched AL 99.7%
6	Separstor paper	Electrolytic Capacitor paper
7	BASE	PPS

Case size table

1.  $\phi 4 \sim \phi 6.3$



2.  $\phi 8 \sim \phi 18$



8 Q IPW

$\phi D$	4 × 5.4	5 × 5.4	6.3 × 5.4	6.3 × 7.7	6.3 × 10.5	8 × 10.5	8 × 12.5	10 × 10.5	10 × 12.5	12.5 × 13.5	12.5 × 16.5	16 × 16.5	18 × 16.5	18 × 21.5	
A	1.8	2.1	2.4	2.4	2.4	2.9	2.9	3.2	3.2	4.8	4.8	5.8	6.8	6.8	
B	4.3	5.3	6.6	6.6	6.6	8.3	8.3	10.3	10.3	13	13	17	19	19	
C	4.3	5.3	6.6	6.6	6.6	8.3	8.3	10.3	10.3	13	13	17	19	19	
E	1.0	1.3	2.2	2.2	2.2	3.1	3.1	4.5	4.5	4.4	4.4	6.4	6.4	6.4	
L	5.4	5.4	5.4	7.7	10.5	10.5	12.5	10.5	12.5	13.5	16.5	16.5	16.5	21.5	
H	0.5~0.8					0.8 ~ 1.1					1.1~1.4				











