

◆ Features

Non-polarized with general temperature +85°C

Load life of 1000 hours

RoHS & REACH compliant, Halogen-free



◆ Specifications

Temperature: -40°C ~ +85°C

Load life: 1000hours

Voltage: 6.3~50V DC

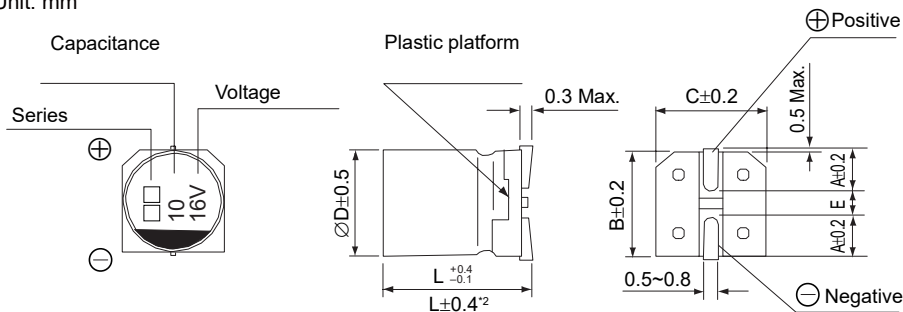
Capacitance: 0.1 ~ 100uF

Tolerance: ±20% at 120Hz, 20°C

Size: 4x5.4, 5x5.4, 6.3x5.4, 6.3x7.7

◆ Drawing of HCN Series

Unit: mm



1. Voltage mark for 6.3V is [6V]

2. Applicable to $\varnothing 6.3 \times 7.7$