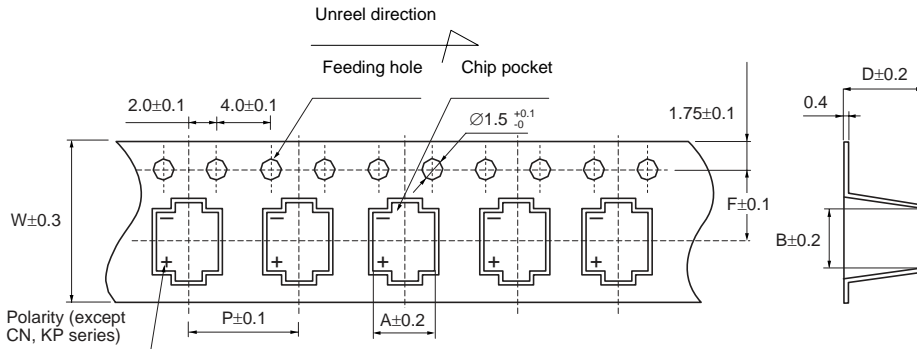


TAPING & PACKAGING SPECIFICATIONS (For Chip Type Capacitors)

Carrier Tape Dimensions

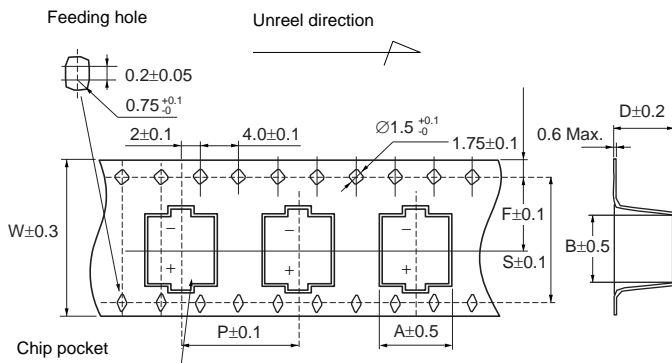
Ø4 ~ Ø10 (mm)



Dimension (Unit: mm)

ØD × L	4×5.4/5.8	5×5/5.4/8/9	6.3×5.4/6.5	6.3×7.7/9	6.3×10.5/11.5	8×6/6.7/7	8×7.7/8/9	8×10.5/12/12.5	10×8/10/10.5	10×12.7/13.5
W	12.0	12.0	16.0	16.0	16.0	24.0	24.0	24.0	24.0	24.0
P	8.0	12.0	12.0	12.0	12.0	12.0	12.0	16.0	16.0	16.0
F	5.5	5.5	7.5	7.5	7.5	11.5	11.5	11.5	11.5	11.5
A	5.0	6.0	7.0	7.0	7.0	8.7	8.7	8.7	10.7	10.7
B	5.0	6.0	7.0	7.0	7.0	8.7	8.7	8.7	10.7	10.7
D	5.9/5.9	5.9/5.9/8.1/9.2	5.9/6.9	8.2/9.9	11.0/12.5	6.8/6.8/7.5	8.2/8.2/9.9	11.0/12.5/13.0	8.4/11.0/11.0	13.0/13.0

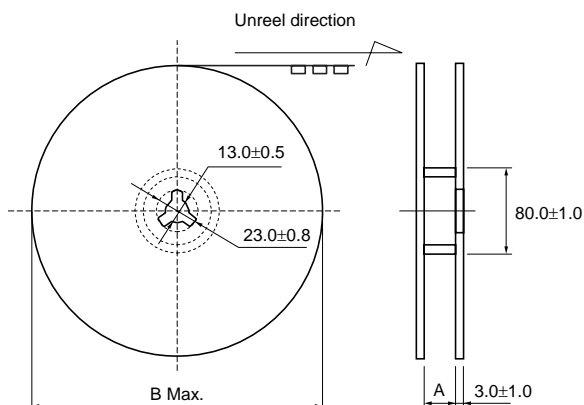
Ø12.5 ~ Ø18 (mm)



Dimension (Unit: mm)

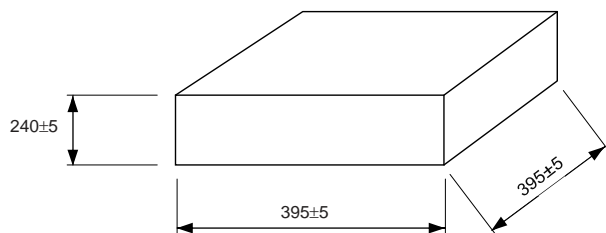
ØD × L	12.5×13.5	12.5×16	16×16.5	18×16.5, 18.5
W	32.0	32.0	44.0	44.0
P	24.0	24.0	28.0	32.0
F	14.2	14.2	20.2	20.2
A	14.0	14.0	17.5	19.5
B	14.0	14.0	17.5	19.5
D	14.0	17.5	17.5	17.5/20.5
S	28.4	28.4	40.4	40.4

Reel Dimensions



ØD	Ø4, Ø5	Ø6.3	Ø8, Ø10	Ø12.5	Ø16, Ø18
A±1.0	14	17	25.5	34.5	44
B (Max.)	382	382	382	382	382

Packaging Box



Packaging Quantity

For Chip Type Aluminum Electrolytic Capacitors

Case Size ∅D × L (mm)	Quantity/Reel (pcs)	Reels/Box	Quantity/Carton (pcs)
4 × 5.4, 5.8	2,000*	12	24,000
5 × 5.4, 5.8	1,000*	12	12,000
6.3 × 5.4, 5.8, 7.7	1,000*	10	10,000
6.3 × 10.5	750*	10	7,500
6.3 × 11.5	500*	10	5,000
8 × 6.2	1,000*	10	10,000
8 × 10.5, 12.5	500*	7	3,500
10 × 10.5, 13.5	500*	7	3,500
12.5 × 13.5	250*	6	1,500
12.5 × 16	200*	6	1,200
16 × 16.5	125*	4	500
18 × 16.5, 18.5	100*	4	400

For Chip Type Conductive Polymer Aluminum Solid Electrolytic Capacitors & Chip Type Conductive Polymer Hybrid Aluminum Electrolytic Capacitors

Case Size ∅D × L (mm)	Quantity/Reel (pcs)	Reels/Box	Quantity/Carton (pcs) Minimum package quantity
4 × 5.5	2,000*	12	24,000
5 × 5.5~8	1,000*	12	12,000
5 × 9	750*	12	9,000
6.3 × 5.5~8	1,000*	10	10,000
6.3 × 9~9.5	750*	10	7,500
8 × 6.7~7.7	1,000*	7	7,000
8 × 8~12	500*	7	3,500
10 × 8~13	500*	7	3,500

- There are some differences between actual package quantity and above list. Please confirm before you order.
- Please order by minimum package quantity.

Note: Specification is subject to change without further notice. For more details and updates, please visit our website.